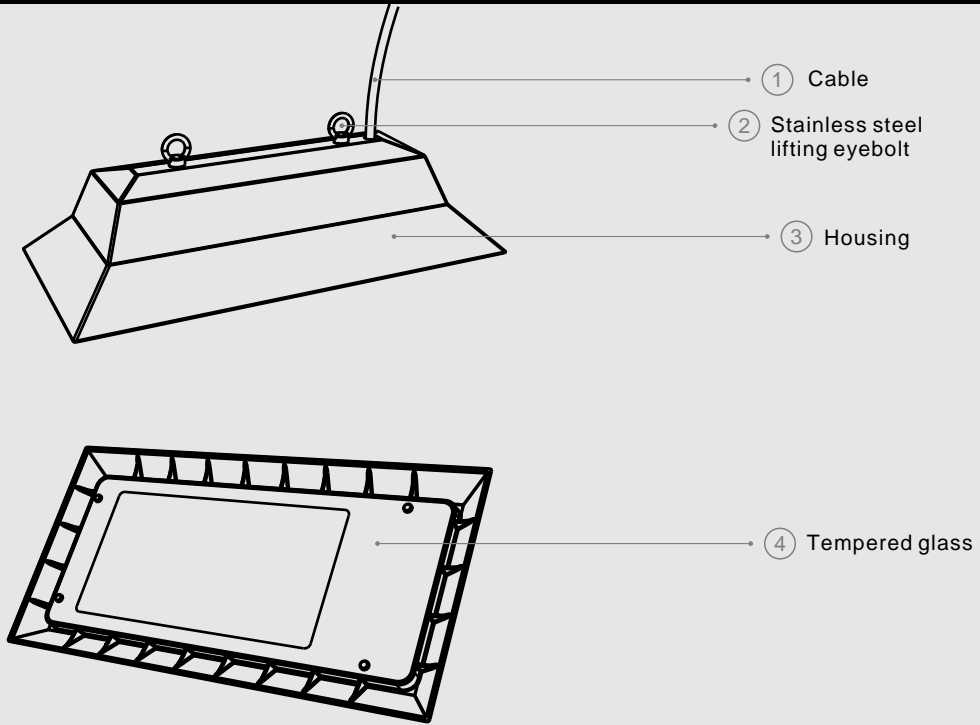
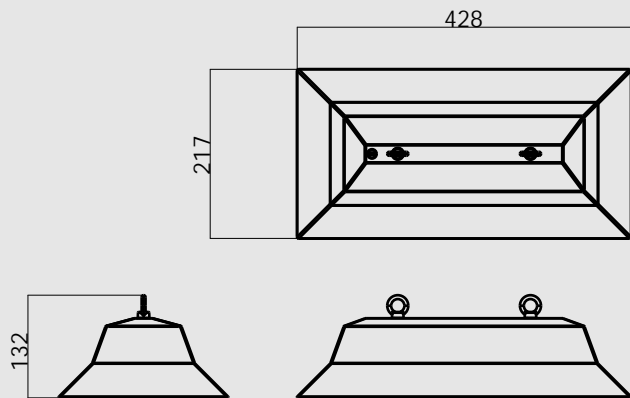


## Parts Description



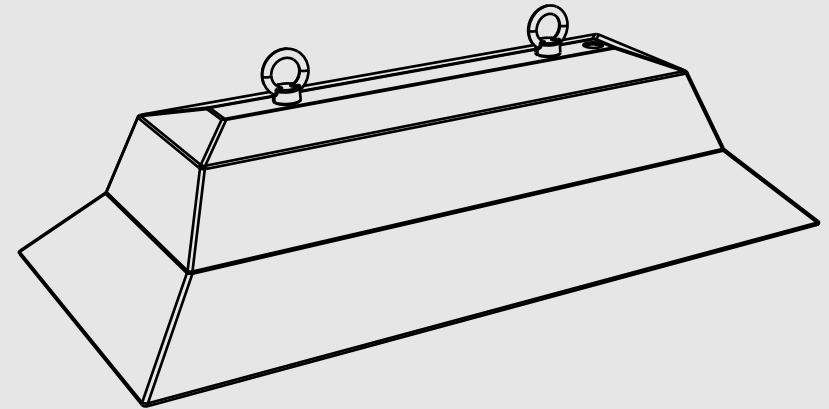
## Dimension Diagram



# ROOF LED HIGH BAY

## User Manual

80/100/150W





## WARNING

A , To avoid the risk of fire, explosion, or electric shock, this product should be installed, inspected, and maintained by a qualified electrician only, in accordance with all applicable electrical codes.

B , Be certain electrical power is OFF before and during installation and maintenance.

C , If the external flexible cable or cord of this luminaire is damaged, it shall be exclusively replaced by the manufacturer or his service agent or a similar qualified person in order to avoid a hazard.

D , The light source contained in this luminaire shall only be replaced by the manufacturer or his service agent or a similar qualified person.

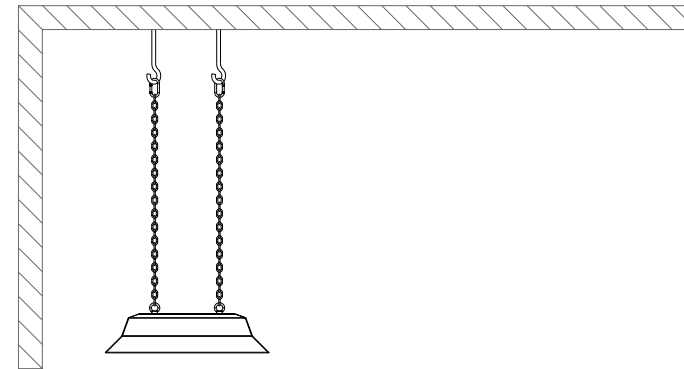
## Order Information

Item NO.	Total Power	LED Supply	Power Supply	Luminous Flux	Flux Efficiency	Warranty
HBA02-08011	80W	NICHIA	MEANWELL(HLG)	11200LM	140LM/W	7 years
HBA02-10011	100W	NICHIA	MEANWELL(HLG)	14000LM	140LM/W	7 years
HBA02-15011	150W	NICHIA	MEANWELL(HLG)	21000LM	140LM/W	7 years
HBA02-08031	80W	LUMILEDS	MEANWELL(HLG)	10400LM	130LM/W	7 years
HBA02-10031	100W	LUMILEDS	MEANWELL(HLG)	13000LM	130LM/W	7 years
HBA02-15031	150W	LUMILEDS	MEANWELL(HLG)	19500LM	130LM/W	7 years
HBA02-08032	80W	LUMILEDS	MEANWELL(ELG)	10400LM	130LM/W	5 years
HBA02-10032	100W	LUMILEDS	MEANWELL(ELG)	13000LM	130LM/W	5 years
HBA02-15032	150W	LUMILEDS	MEANWELL(ELG)	19500LM	130LM/W	5 years

## Other Information

<b>Input Voltage</b>	AC220-240V / AC100-277V	<b>Storage Temperature Range</b>	-40 ~+70
<b>Power Frequency</b>	50/60HZ	<b>Operating Temperature Range</b>	-40 ~+50
<b>CCT</b>	3000K,4000K,5000K	<b>Operating Humidity Range</b>	15 -90%RH
<b>Ra</b>	>80	<b>Protection Level</b>	Ip66
<b>Dimension(L*W*H)</b>	428mm*217mm*132mm	<b>Fixture Color</b>	black
<b>Beam angle</b>	30 ° X90 °      60 ° X90 °		

## Mounting Possibilities

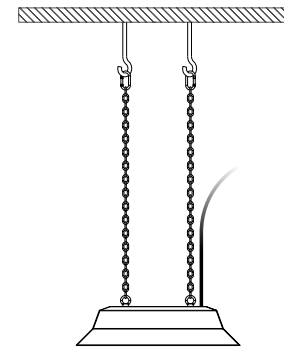


Chain Mounting

## INSTALLATION INSTRUCTION

### Step1

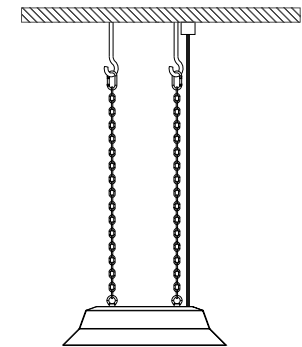
Hook the ripple to the chain



\*Chain&Carabiner not included.

### Step2

Connect the cable to junction box



\*The standard cable accessory is 1.5 meter.